

ASSEMBLY AND INSTALLATION INSTRUCTIONS

C0232

WARNING: TO AVOID RISK OF ELECTRICAL SHOCK, BE SURE TO SHUT OFF POWER BEFORE INSTALLING OR SERVICING THIS FIXTURE.

NOTES: 1. Before installing, consult local electrical codes for wiring and grounding requirements.
2. READ AND SAVE THESE INSTRUCTIONS.

Hardware Package (included):

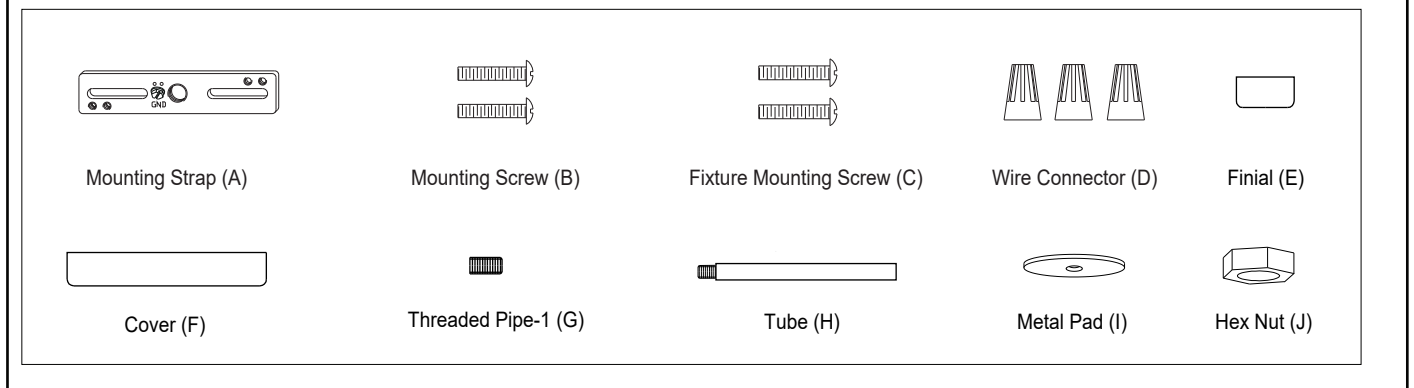
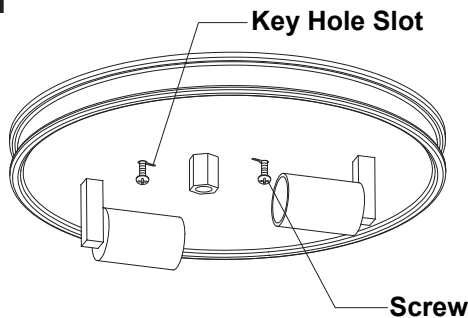


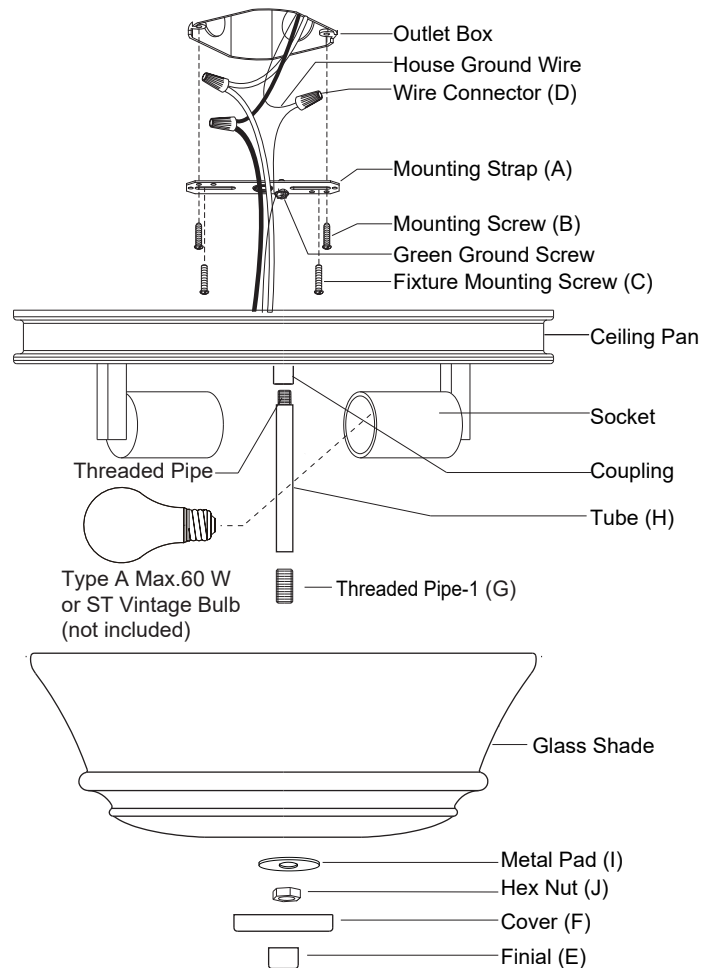
Fig.1



Installation Steps

Turn off the power at fuse or circuit box

1. Attach the two fixture mounting screws (C) to the holes on the mounting strap (A) and screw them in 2 to 3 turns.
2. Attach the mounting strap (A) to the outlet box using two mounting screws (B).



3. Pull out the source wires from the outlet box. Make wire connections using wire connectors (D) as follows:
 - Connect the hot wire (black insulation) from the fixture to the black wire from the power source.
 - Connect the neutral wire (white insulation) from the fixture to the white wire from the power source.
 - Attach the fixture grounding wire (green insulation or bare wire) to the mounting strap (A) with the green ground screw, then connect it to the house ground wire with the wire connector (D).
 Carefully put the wires back into the outlet box.
4. Attach the ceiling pan to the mounting strap (A) by inserting two fixture mounting screw (C) heads into the key holes, and rotate the pan until it is locked in place. Then secure the screws tightly. (See Fig.1)
5. Screw the tube (H) with the threaded pipe head into the coupling until tightened.
6. Install two bulbs (not included). See relamping label at socket area or packaging for maximum allowed wattage.
7. Secure the threaded pipe-1 (G) into the tube (H). Adjust the threaded pipe-1 (G) to the suitable location.

Note: Depth of the threaded pipe-1 may need to be adjusted to properly fit glass shade, metal pad, hex nut, cover and finial.
8. Attach the glass shade to the pan by inserting the threaded pipe-1 (G) and tighten it with metal pad (I) and hex nut (J) .

Note: Do not over tighten, breakage of glass shade could be occurred.
9. Slip the cover (F) up through the threaded pipe-1 (G) , secure it with a finial (E).

Turn on the power at fuse or circuit box

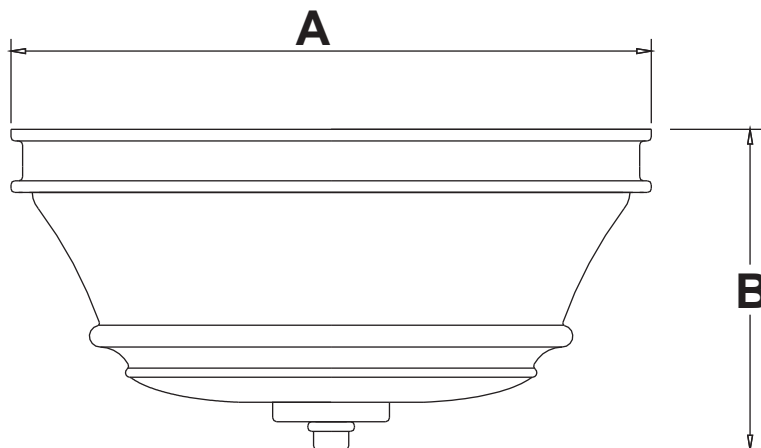
The following parts are available for re-order if damaged or missing.

Spare Parts List:

Mounting Strap (A)	Mounting Screw (B)	Fixture Mounting Screw (C)	Wire Connector (D)	Finial (E)
Cover (F)	Threaded Pipe-1 (G)	Tube (H)	Metal Pad (I)	Hex Nut (J)

Mounting Hardware
6153MM (1SET)

Glass Shade
9852CB (1PC)



A: 13"
B: 6-1/2"